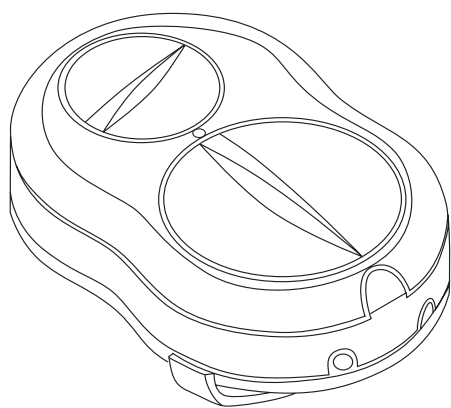


crescendo 60

Personal Listening System



Operating Instructions

Introduction

Thank you for choosing the Crescendo 60 personal listening system. Before using the system, please read these operating instructions to benefit from all the capabilities of the system and it will give you many hours of reliable listening performance.

The Crescendo 60 will help you to communicate with confidence. It is a battery powered amplifier that can receive sound from various sources, and then amplify that sound to the way you like to listen.

The Crescendo 60 has a wide-ranging tone control that can boost the high and low frequencies according to your hearing needs.

There are options enabling you to use the system with or without a hearing aid.

WARNING

The sound input from this system can be very high: Switch off before changing the batteries or plugging or unplugging any accessories.

Precautions

The manufacturer cannot be held responsible for damage caused by not using the Crescendo 60 in accordance with these safety precautions.

Do not open the casing of the Crescendo 60 except to change batteries or operate the mode switch. No user-serviceable parts can be found inside.

Ensure mains powered equipment is switched off before connecting to the Crescendo 60.

Do not expose the Crescendo 60 to rain or any other forms of moisture.

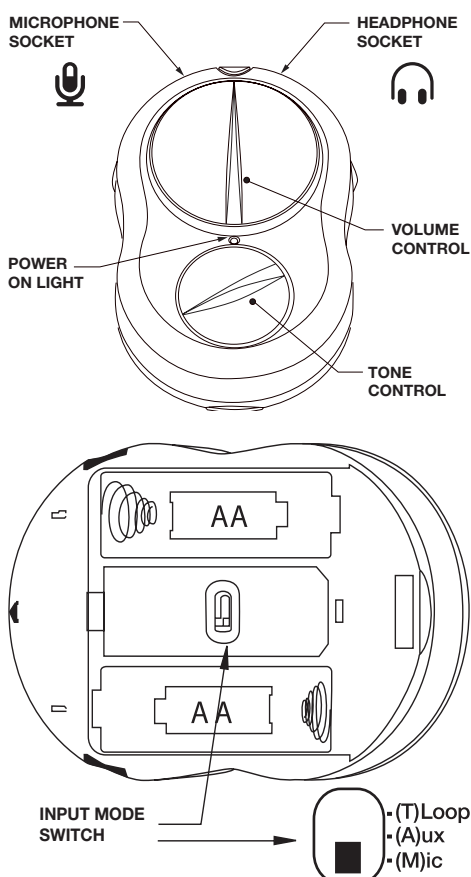
Do not expose the Crescendo 60 to direct sunlight or extreme heat such as radiators.

Only AA batteries of the type specified can be used. Do not mix old and new batteries.

Use rechargeable batteries in accordance with the instructions supplied with them.

If the Crescendo 60 is not to be used for a long time, remove the batteries.

Product Overview

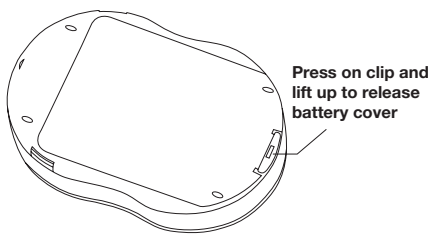


- Rotary Volume control.
- Rotary Tone control.
- Belt clip.
- Neck cord.
- Uses 2 X AA alkaline batteries giving over 60 hours of use with a headset
- Rechargeable batteries can be used.
- Battery life will depend on battery capacity.
- Power On/Low battery light
- Input selection mode switch (Microphone, Aux, T/Loop)

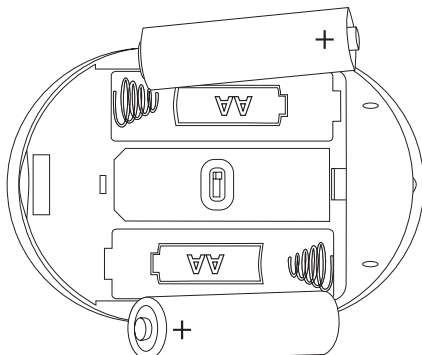
Inserting Batteries

The unit uses 2 AA alkaline batteries (LR6 or AA).

Remove belt clip if fitted (see below). Remove the battery cover located on the rear of the amplifier by pressing in the clip on the end of the unit and lifting the cover upward.



Insert the two batteries according to the symbol shown in the battery compartments.



Replace the battery cover.

Basic Operation

The Crescendo 60 is delivered set for microphone use.

Insert batteries as above.

With the amplifier switched off, check volume control is turned to left until click felt. Control will point upwards and power light will be off.

Plug a microphone into the microphone socket with the microphone symbol.

Plug either headphones or neck loop (for hearing aid users with loop facility) into the headphone socket with the headphone symbol.

Wear the headphones or neck loop.

Switch the amplifier on. Turn the volume control clockwise past the "click".

A green LED will light up to indicate the amplifier is on. When colour changes to red the batteries are coming to the end of their useful life.

Adjust the volume to suit your listening level and the tone control to boost the high or low tones to adjust clarity.

When finished turn the amplifier off by turning the volume control anti-clockwise until it "clicks". The green LED will go out.

Input Options

■ Microphone

Select **M** on the mode switch

For general listening using either a plug in or a long lead microphone to get right to the sound source.

Plug the microphone into the socket with the Microphone symbol.

■ Direct connection

Select **A** on the mode switch

To listen with maximum clarity to TV or Audio from the SCART, RCA Phono or Jack outputs.

Plug the appropriate lead into the socket with the Microphone symbol.

■ Loop receiver

For non hearing aid users only.

Select **T** on the mode switch

Check or listen to an existing loop system using headset or headphones.

Listening Options

■ Stethoscope Headset

Wear this lightweight headset under the chin for maximum sound levels.

■ Headphones

Wear any conventional over the head Headphones with 32 ohm impedance with a 3.5mm stereo jack plug.

■ Earphones

Any in-ear earphones with a 3.5mm stereo jack plug.

■ Neck Loop

Can be worn around the neck to transmit the sound directly to the hearing aid on the "T" or loop setting.

■ Ear hook

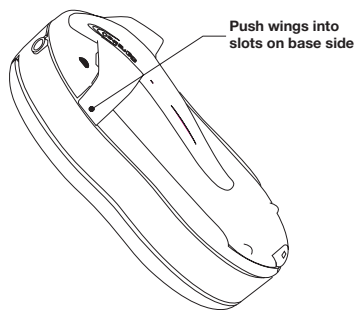
Worn adjacent to the behind the ear hearing aid to transmit the sound directly to the hearing aid on the "T" or loop setting.

■ Direct connection to hearing aid

Direct connection to a hearing aid with the appropriate facility and lead.

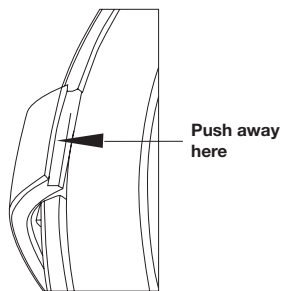
Beltclip/neckcord

To fit belt clip simply press the wings of the clip into the position shown.

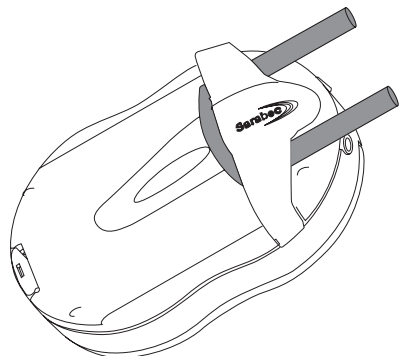


To remove the clip press one of the wings away from the body.

Do not try to remove the clip by lifting the clip away from the battery cover as you may damage the parts.



To fit the neck cord remove belt clip and thread the cord as shown, and replace the belt clip. The neck cord has a safety release feature to avoid you getting trapped by the cord.



Troubleshooting

Q. No Sound

A. Check headset/microphone are in the correct sockets.

Headset or microphone may be faulty.

Batteries may be exhausted fit new batteries.

Check operating mode.

Q. Low or distorted sound

A. Batteries nearly exhausted fit new batteries.

Check operating mode.

Q. Feedback or squealing sound

A. Microphone is too close to headset and volume is set too loud.

Q. Crackling or sound goes on and off

A. Dirty plugs - clean plugs
Faulty leads, wiggle leads to find faulty lead - change lead

Q. Tinny or muffled sound

A. Tone control in wrong position

Headset ends can be removed for cleaning and can be washed in warm soapy water but must be thoroughly dried before replacing.

If the system needs returning for repair please send the complete system including the amplifier, batteries and any accessories purchased for the system.

Please state the nature of the fault and your name and address of where you want the system returned to. If the system is still under guarantee please provide proof of purchase otherwise we may need to charge.

Specifications

Power requirements

2 X 1.5V AA/LR06 Alkaline batteries.

Battery life giving over 80 hours use with a 32 ohm headset and average listening levels.

Normal or rechargeable batteries may be used with reduced life.

Dimensions

Approx L 95mm: W 62mm H25mm excluding belt clip.

Weight

70g without batteries, approx. 120g with batteries.

Material

ABS plastic casing.

Performance

Frequency Response:

200Hz-10 kHz +/- 3dB

Maximum Gain: 60dB

Tone Control: +/- 8dB at 200Hz
+/- 8dB at 5kHz

Maximum audio signal output:>125dB with 307-105 headphones.

Accessories/Spares

A full list of all Sarabec accessories and spares is available on request.

330-009	Plug in Microphone
330-001	Standard microphone with 1.2m(4ft) black lead and Velcro pads
330-044	Velcro pads kit one hook type and three black loop pads. To obtain just this replacement kit, send two second class stamps.
353-121	3m(10ft) Headphone/ Microphone extension lead
353-097	Crescendo direct audio lead kit, including 5m(15ft) 3.5mm jack plug to red/white Phono plugs. Phono to SCART adaptor, Phono to stereo jack adaptor.
307-105	Stethoscope headset
303-055	Lightweight headphones
303-070	In-ear Earphones
201-125	Neck Loop
315-001	Single Ear hook
315-002	Dual Ear hooks

EU Declaration of Conformity

Unie neslyšících Brno, sociální podnik, s.r.o.
Palackého tř. 114
612 00 Brno
www.pomuckyproneslyšici.cz